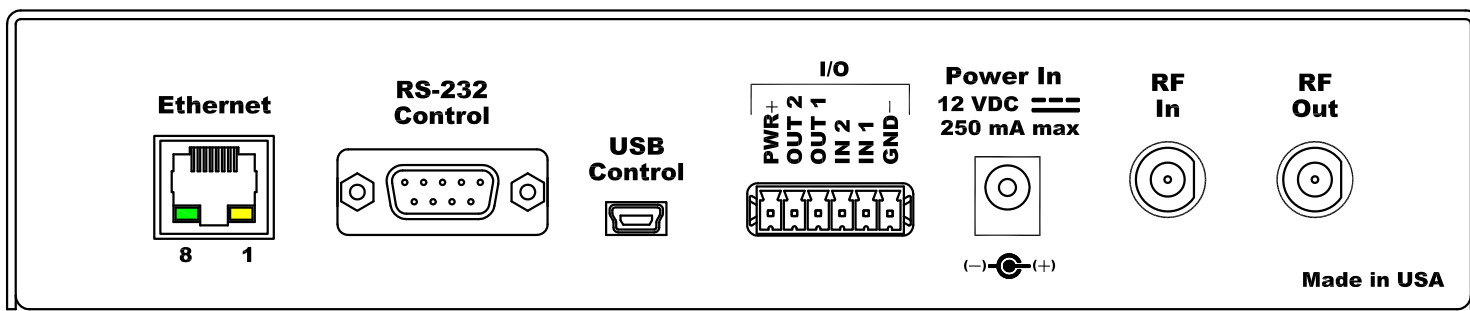


FRONT VIEW



REAR VIEW

NOTES:

1. OVERALL BOX DEPTH IS 8.0 INCHES.
2. REFERENCE DRAWINGS RK1 AND RK2EZ BRACKETS FOR RACKMOUNT OPTIONS.

UNLESS OTHERWISE SPECIFIED:  
 DECIMAL DIMENSIONS INCLUDING HOLES XX ±.010  
 XXX ±.005  
 FRACTIONAL DIMENSIONS INCLUDING HOLES ± 1/64  
 ANGLES ± 1°  
 SURFACE FLATNESS .003 TIR PER LINEAR INCH.  
 ALL DIMENSIONS IN INCHES.  
 DO NOT SCALE THIS DRAWING.

| SYM                 | ECO NO.  | DESCRIPTION  | DATE                 | APPR. |
|---------------------|----------|--|----------------------|-------|
| **** REVISIONS **** |          |  |                      |       |
| DRAWN               | DATE     | <b>Contemporary Research</b><br>TITLE<br>PRODUCT DRAWING<br>ICE-HE-DXL<br>Display Control Center |                      |       |
| RSH                 | 08/11/16 |  |                      |       |
| CHECKED             | DATE     | SCALE  | DWG. NO.<br>950-5041 |       |
| APPROVED            | DATE     | NONE   |                      |       |
| RELEASED            | DATE     | SHT  | 1 OF 1               |       |
| DIR                 | FILE     | ICE-HE-DXL_PD.DWG  |                      |       |