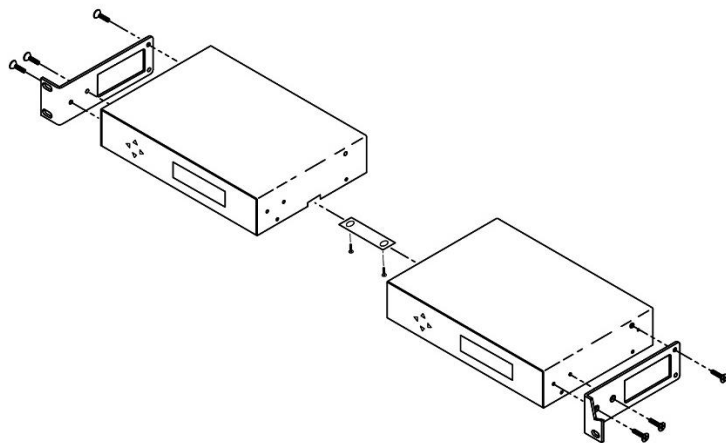


RKU Universal Rack Mount Kit

All Contemporary Research rack-mountable products will now include a Universal Rack Mounting Kit (RKU). The RKU will allow for mounting of a single unit or two units side-by-side in a 19" rack. One Universal Rack Mounting Kit will be included with the purchase of each product and will include the following parts:

- Two (2) Short Rack Ears
- One (1) Long Rack Ear
- One (1) Center Mount Tie-bar
- Six (6) 8-32 x 1/4" Screws
- Two (2) 4-40 x 3/16" Screws

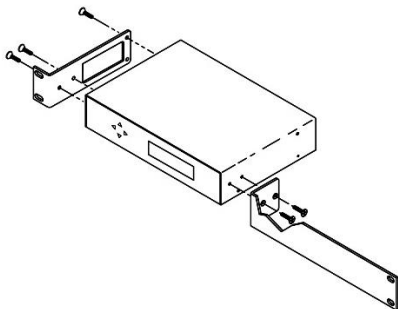
2-Across Mounting



When mounting two components in one RU rack space, use the two short rack ears and the tie bar assembly. Note that the QDA4-45 and QCA9-33 have solid side panels and should not be mounted next to components with the ventilation holes, as that will block airflow.

- Check that your enclosures have the tie bar slot.
- Slide the included tie bar into the side of one unit and attach with one included 4-40 x 3/16" screw, but do not tighten.
- Slide the other unit into the tie bar, attach with the second 4-40 x 3/16" screw, and tighten both screws.
- Add the rack mounts to the sides using the six 8-32 x 1/4" screws.

Single Unit Rack Mounting



Attach a long and short rack ear to each side at the front of the unit, using five of the 8-32 x 1/4" screws.